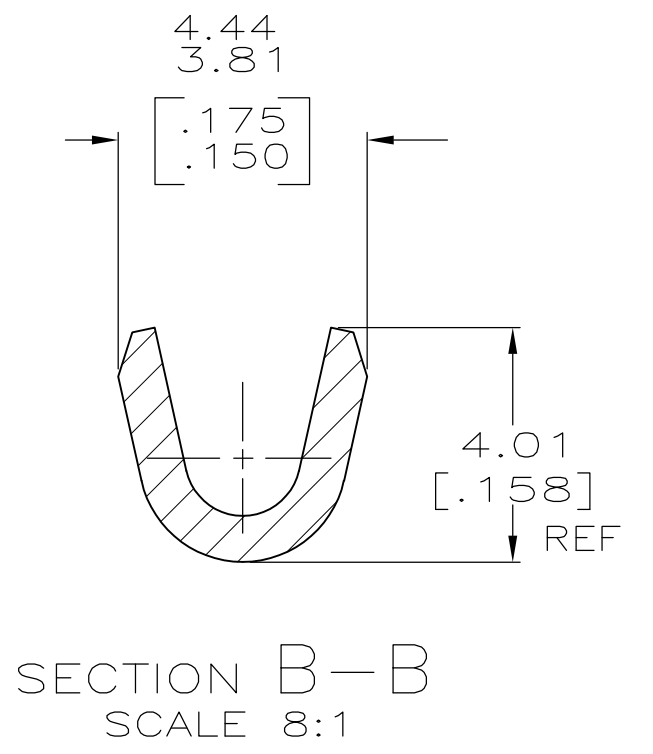
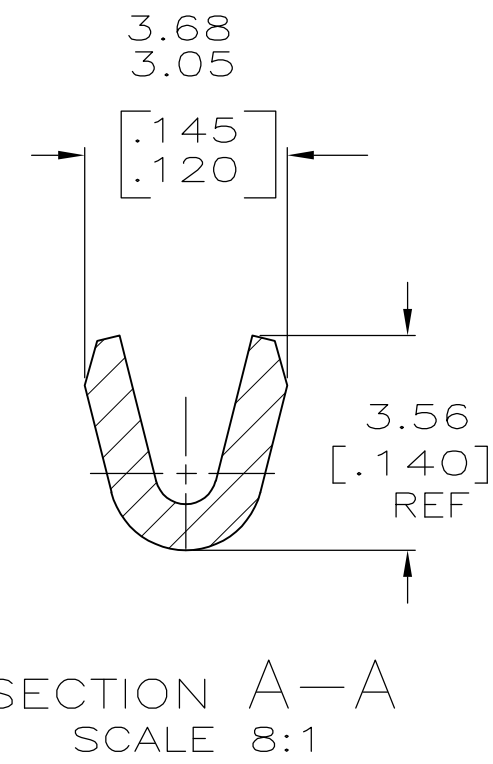
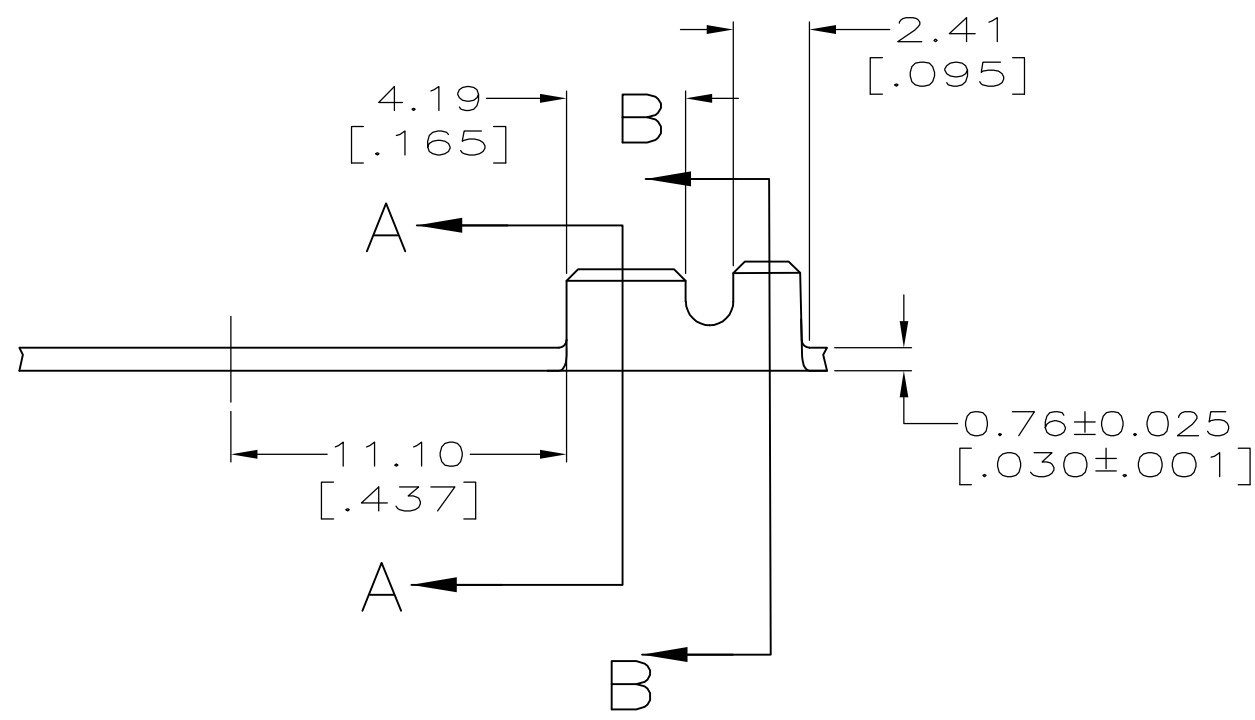
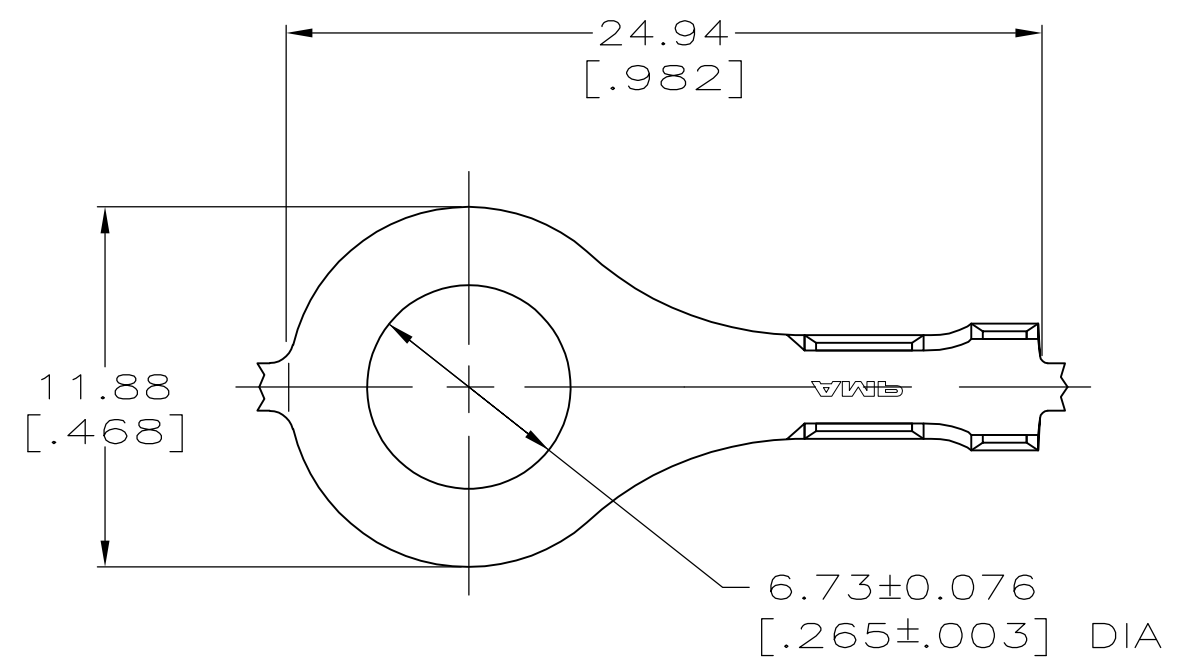


THIS DRAWING IS UNPUBLISHED. RELEASED FOR PUBLICATION
 © COPYRIGHT BY TYCO ELECTRONICS CORPORATION. ALL INTERNATIONAL RIGHTS RESERVED.

LOC	DIST	REVISIONS			
P	LTR	DESCRIPTION	DATE	DWN	APVD
AF	50	K	REVISED PER ECR-08-008189	07NOV08	HMR DD



- CONTINUOUS STRIP ON REELS AT A FEED OF 27.68±0.13 [1.090±.005].
- WIRE SIZE IS [#22-#18] AWG.
- INSULATION RANGE IS 1.78-2.54 [.070-.100] DIA.

41711
PART NO.

THIS DRAWING IS A CONTROLLED DOCUMENT.		DWN JR RUTH 10/5/98	Tyco Electronics Corporation Harrisburg, PA 17105-3608				
DIMENSIONS: mm [INCHES]		CHK MS FEHER 10/5/98					
TOLERANCES UNLESS OTHERWISE SPECIFIED:		APVD J DUNCAN 10/5/98	NAME				
0 PLC ± - 1 PLC ± - 2 PLC ± 0.38 [.015] 3 PLC ± - 4 PLC ± - ANGLES ± -		PRODUCT SPEC	TERMINAL, RING				
MATERIAL 082 BRASS		FINISH TIN	APPLICATION SPEC	SIZE A3	CAGE CODE 00779	DRAWING NO C-41711	RESTRICTED TO
CUSTOMER DRAWING			WEIGHT -	SCALE 4:1	SHEET 1 OF 1	REV K	